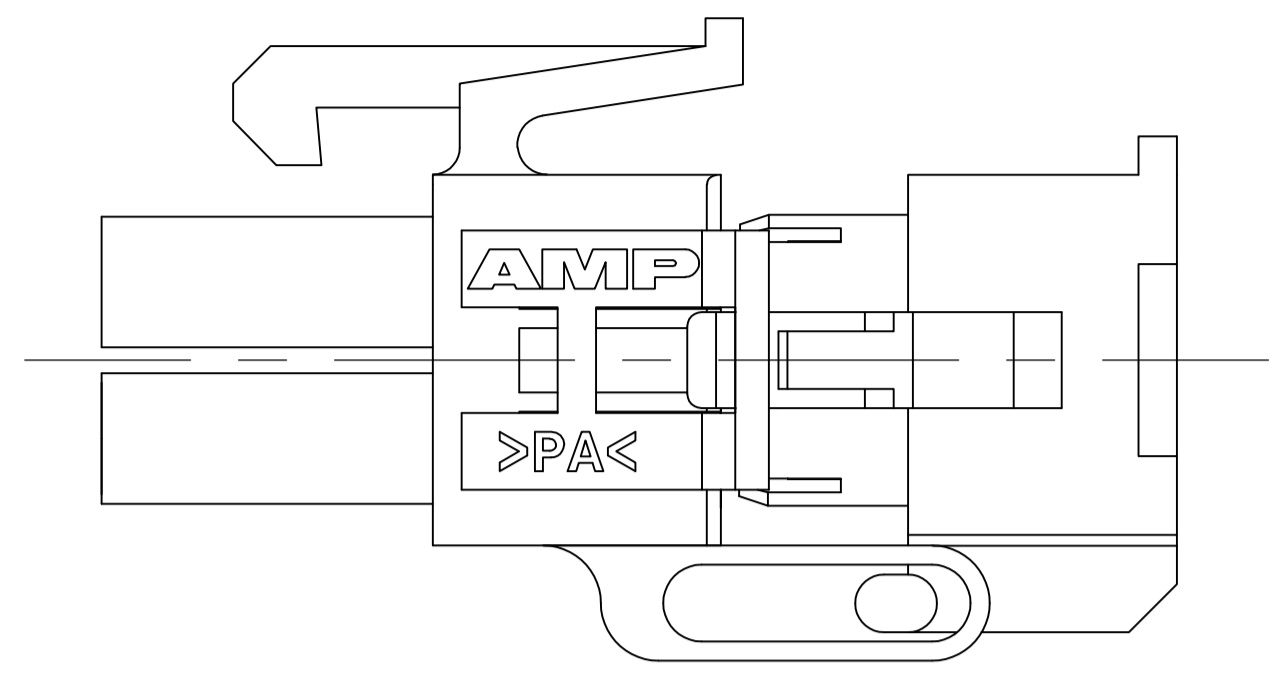
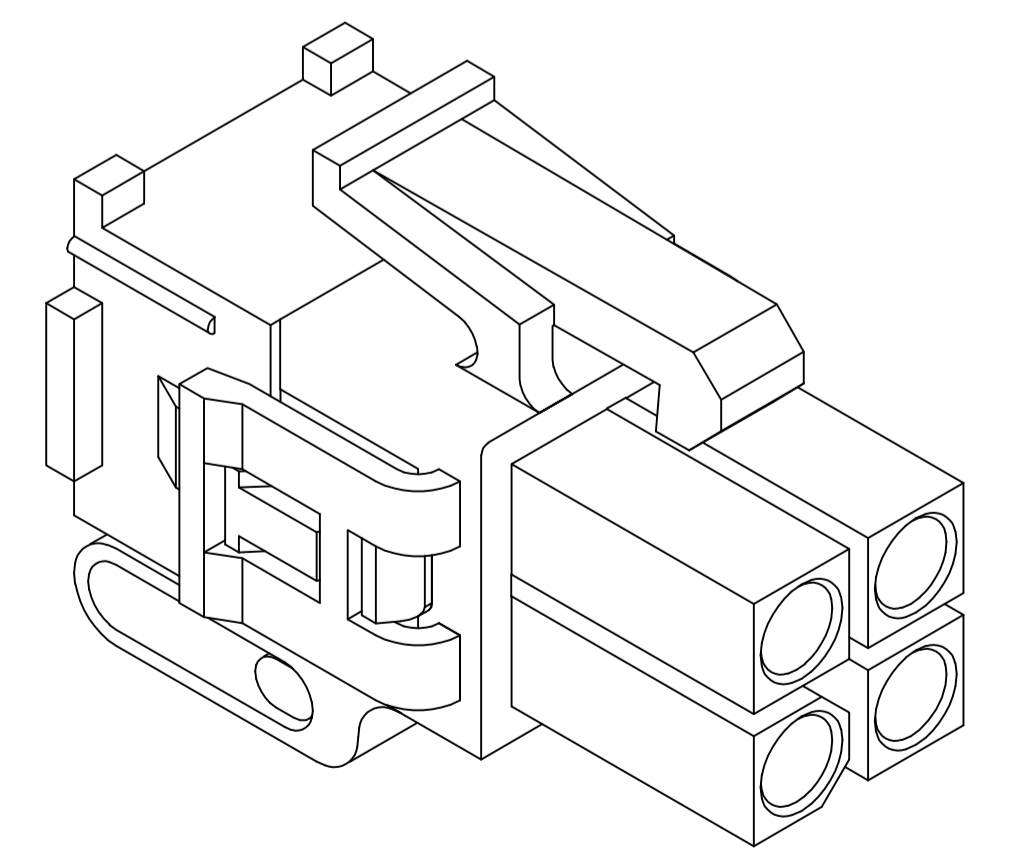
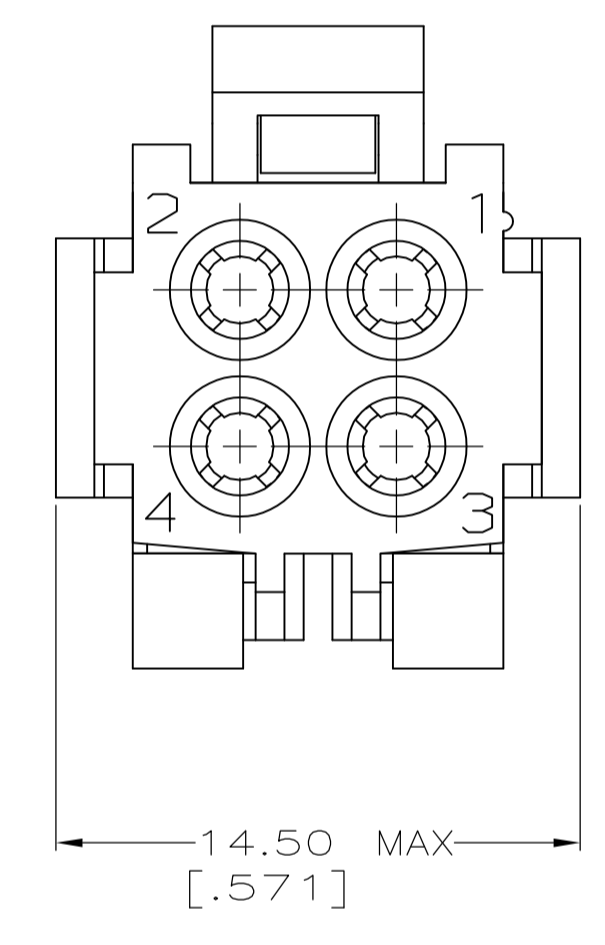
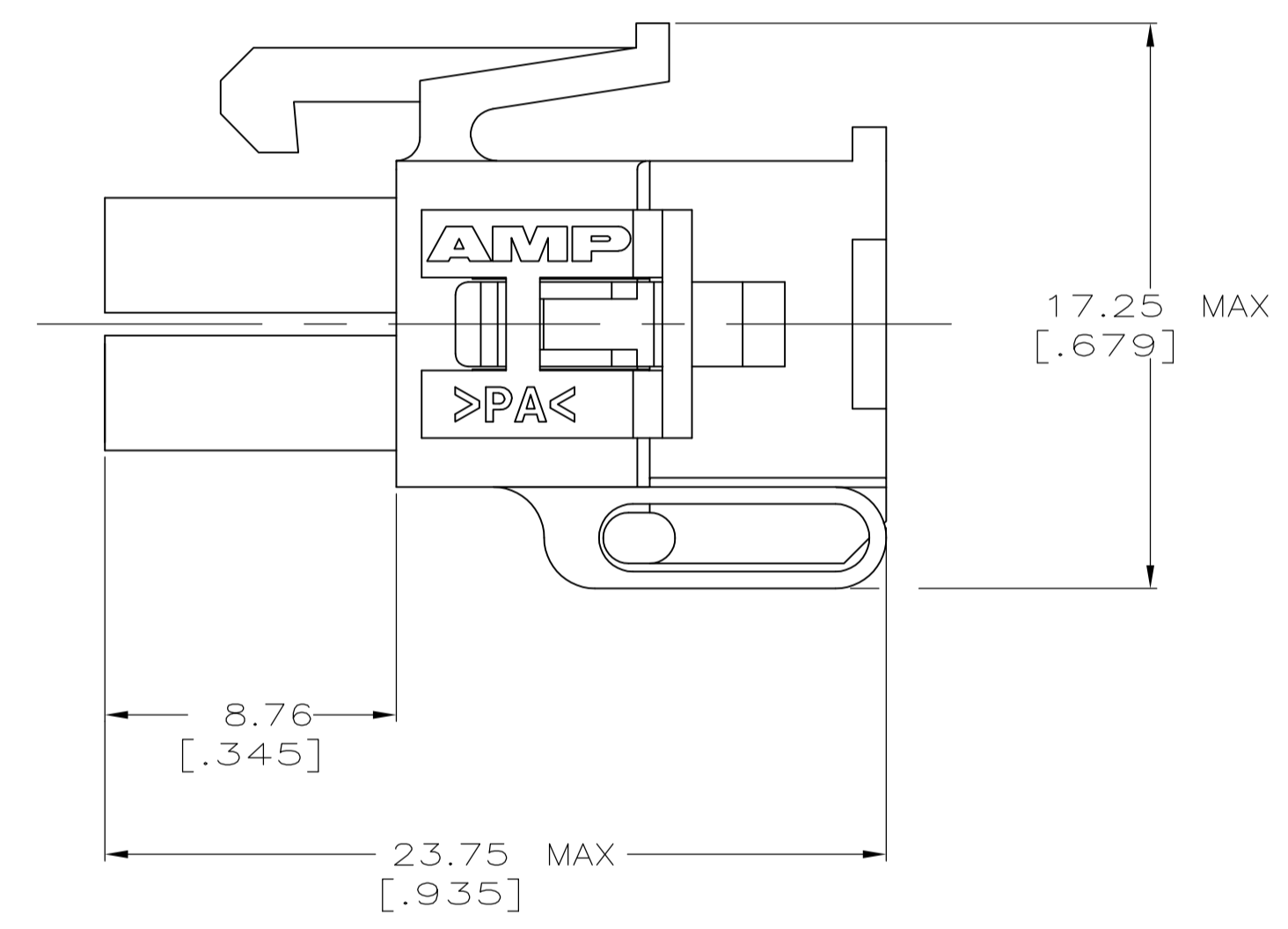
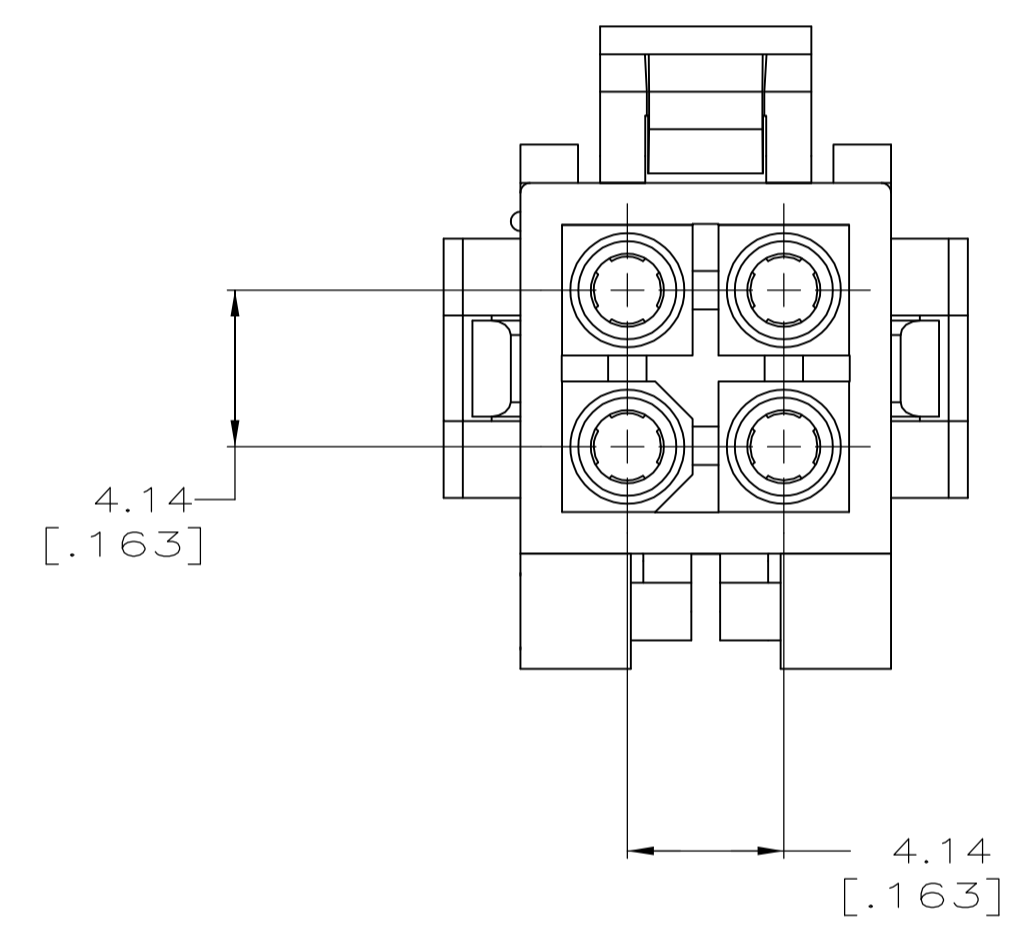


LOC		DIST		REVISIONS			
P	LTR	DESCRIPTION	DATE	DWN	APVD		
C		REVISED PER ECO-10-005348	12MAR10	HMR	MS		



PRE-STAGED CONDITION

- 1 DIMENSIONS IN BRACKETS ARE IN INCHES.
- 2 THIS PRODUCT IS MOISTURIZED WHEN PACKAGED. DO NOT OPEN PACKAGING UNTIL TIME OF USE AND ALWAYS RESEAL UNUSED PORTION IMMEDIATELY AFTER USE.



3-DIMENSIONAL MODEL  
NTS

794188-1  
PART NUMBER

THIS DRAWING IS A CONTROLLED DOCUMENT.		DWN K. WHITAKER 5-12-97	Tyco Electronics Corporation Harrisburg, PA 17105-3608
DIMENSIONS: mm		CHK R. SWING 5-12-97	
TOLERANCES UNLESS OTHERWISE SPECIFIED:		APP'D R. ORSTAD 5-12-97	NAME PLUG, 4 CIRCUIT, MINI UNIVERSAL MATE-N-LOK™ 2
0. PLC ± - 1. PLC ± - 2. PLC ± 0.13[.005] 3. PLC ± - 4. PLC ± - ANGLES ± 0°30'		PRODUCT SPEC	APPLICATION SPEC
MATERIAL NYLON UL 94V-0, NATURAL		FINISH	RESTRICTED TO
		WEIGHT	SCALE 5:1
CUSTOMER DRAWING		SIZE A1	SHEET 1 OF 1 REV C